

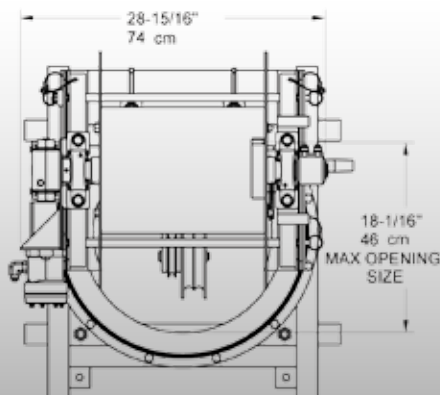
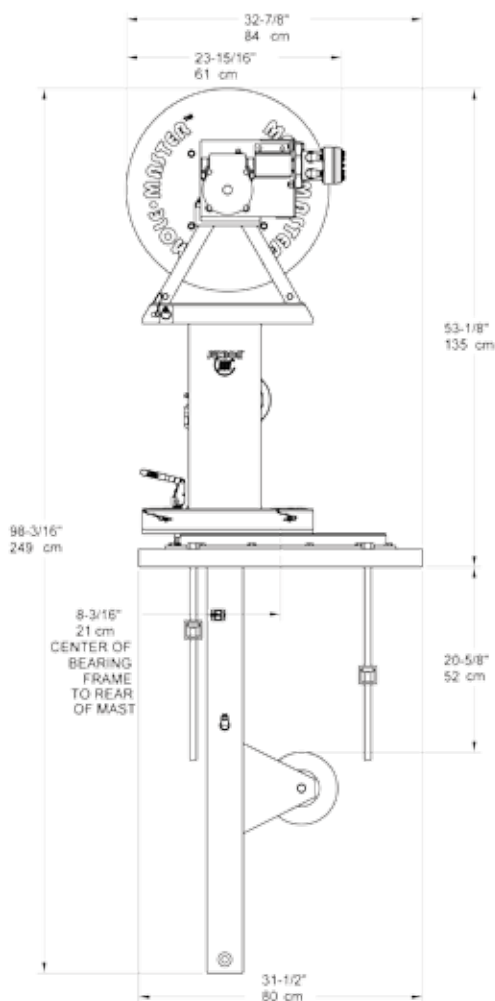
# TECHNICAL DATA SPECIFICATIONS

## JR360P TECHNICAL DATA

HYDRAULICS	
5 gallon (19 L) hydraulic reservoir	
2,500 psi (172 bar) relief valve (in tank)	
ISO 32 hydraulic oil	
10 micron return filter	
Open center control valves	
Quick coupling hose connections	
3,250 psi (224 bar) braided hydraulic hoses	
3.8 gpm (14.4 liters/min) gear pump	
ELECTRIC MOTOR OPTIONS	
5 HP, 3 phase Explosion Proof	230/460 volt
5 HP, 3 phase TEFC (totally enclosed fan cooled)	208-230/460 volt
5 HP, 3 phase TEFC (totally enclosed fan cooled)	575 volt
5 HP, 3 phase, Explosion Proof	575 volt
60 Hz (50 Hz compatible)	
SPECIAL FEATURES	
Full 360° rotation of complete machine	
Boom adjusts from 9' to 28' (2.7 m to 8.5 m) (reach from 0' to 28' / 0 m to 8.5 m)	
5' (1.52 m) mini boom also available	
CUTTING HEAD	
5.25 HP vane type pneumatic motor	
100 psi / 175 cfm (6.9 bar / 4,955 liters/min) at machine	
Max. 2,500 rpm	
Optional hubs to attach a variety of cutters	
WEIGHTS	
See Attached	

## JR360P WEIGHTS

PART #	DESCRIPTION	WEIGHT LBS.	WEIGHT KG
HR3100-00	Hose Reel with 100' of hose	193	88
SF3001-00	Upper Support Frame Assembly	37	17
M3000-00	Mast Assembly	76	34
BF3000-00	Bearing Frame Assembly	111	50
CH2000-00	Cutting Head with 2 Chain / 2 Whip Hub	82	37
JB3000-00	Boom Assembly	110	50
PU3000-00-EXP	Power Unit with Explosion Proof Motor	265	120
WCDSO10/4BKR	10/4 S/O Power Cord, 125'	44	20
CV3100-00	Control Valve	33	15
FRL3000-00	Filter-Regulator-Lubricator Assembly	23.5	11
HH0120-1	(6) Hose Assembly, #8M3K, 120" long	25.5	11.6
<b>TOTAL</b>		<b>1,000</b>	<b>453.6</b>



## JR360H TECHNICAL DATA

HYDRAULICS	
5 gallon (19 L) hydraulic reservoir	
2,500 psi (172 bar) relief valve (in tank)	
ISO 32 hydraulic oil	
10 micron return filter	
Open center control valves	
Flush face, no-spill, quick couplings	
High efficiency 5.23 gpm (19.8 liters/min) gear pump	
Double wire braid, 4,000 psi (276 bar) hydraulic hose	
ELECTRIC MOTOR OPTIONS	
5 HP, 3 phase Explosion Proof	230/460 volt
5 HP, 3 phase TEFC (totally enclosed fan cooled)	208-230/460 volt
5 HP, 3 phase TEFC (totally enclosed fan cooled)	575 volt
5 HP, 3 phase, Explosion Proof	575 volt
60 Hz (50 Hz compatible)	
SPECIAL FEATURES	
True 360° rotation of complete machine	
Boom adjusts from 9' to 28' (2.7 m to 8.5 m) (reach from 0' to 28' / 0 m to 8.5 m)	
5' (1.52 m) mini boom also available	
CUTTING HEAD	
Small 5" diameter cutting head	
Optional hubs to attach a variety of cutters	
RPM	998
Torque	482 inch pounds (54.5 N-m)
Max. pressure	2,500 psi (172 bar)
Flow rate	5.23 gpm (19.8 liters/min)
Displacement	1.21 cubic in (19.8 cubic cm)
WEIGHTS	
See Attached	

## JR360H WEIGHTS

PART #	DESCRIPTION	WEIGHT LBS.	WEIGHT KG
HR3000-00	Hose Reel with 160' of hose	289	131
SF3001-00	Upper Support Frame Assembly	37	17
M3000-00	Mast Assembly	76	34
BF3000-00	Bearing Frame Assembly	111	50
CH3000-00	Cutting Head with 2 Chain / 2 Whip Hub	70	32
JB3000-00	Boom Assembly	110	50
PU3000-00-EXP	Power Unit with Explosion Proof Motor	265	120
WCDSO10/4BKR	10/4 S/O Power Cord, 125'	44	20
CV3000-00	3 Spool Control Valve	31	14
HH0120-1	(2) Hose Assembly, #8M3K, 120" long	8.5	4.5
<b>TOTAL</b>		<b>1,041.5</b>	<b>472.5</b>

