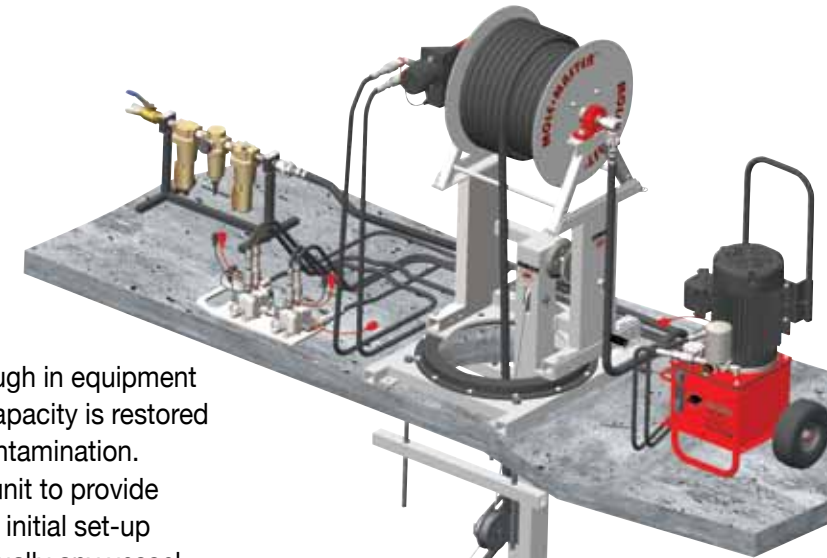


SILO AND BIN CLEANING EQUIPMENT



MOLE-MASTER
SERVICES CORPORATION

JUNIOR 360°™ WHIP MACHINE



The Junior 360°™ Series represents a technological breakthrough in equipment for the Silo Cleaning and Bin Cleaning industry. Lost storage capacity is restored quickly, safely and economically without the risk of product contamination. The fully adjustable boom and crane bearing mount allow the unit to provide complete 360° coverage of the vessel's interior wall(s) from the initial set-up position. The unit's modular design allows for placement in virtually any vessel regardless of shape or size.

The Junior 360°™ is available with either a hydraulically-actuated cutting head or a pneumatically-powered cutting head.

MODEL JR360H

The Mole•Master Junior™ Model JR360H features a hydraulically-actuated cutting head. The hydraulic cutting head of the JR360H provides the operator with greater torque and a higher operating speed. The hydraulic cutting head is significantly smaller in diameter (5" / 12.7 cm) than any head on the market, enabling it to fit into extremely small flow channels or "ratholes" which lessens time to enlarge the flow channel.



FEATURES COMMON TO BOTH MODELS:

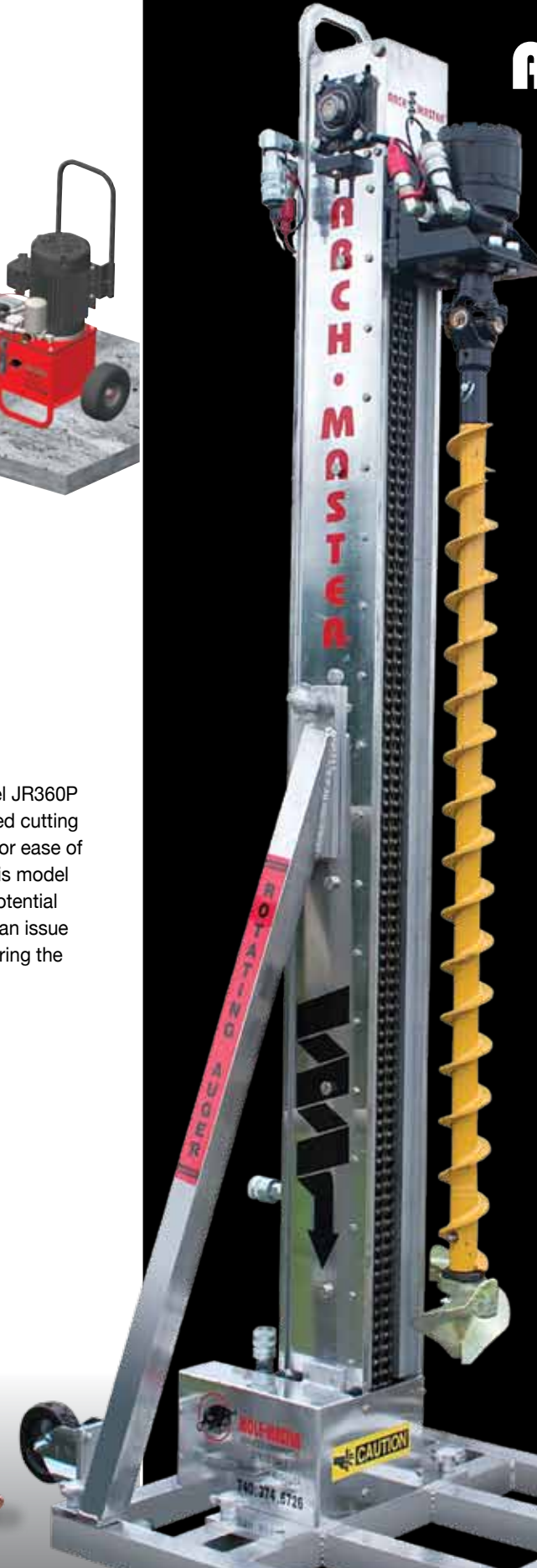
- Hydraulically-assisted sectional boom provides needed flexibility to adapt to different-sized vessels
- Interchangeable blades, flails, or chain cutters engineered to safely remove a wide variety of materials
- Hose reel is independent from boom assembly for easy set-up in close quarters
- Unique 360° bearing allows for infinite positioning of the cutting head
- Positive mounting to vessel opening for safe operation (custom mounting bases available for adapting to any roof opening)
- Lightweight aluminum construction
- Sectional boom allows up to 28 ft. (8.5 m) reach for the flexibility to adapt to vessels of different dimensions
- Wire-braided hose for added strength to prevent twisting and collapsing
- Easy to transport and assemble
- Increases safety by eliminating the need to have workers enter bins or silos

MODEL JR360P

The Mole•Master Junior™ Model JR360P features a pneumatically-powered cutting head with hydraulic assistance for ease of use. With an updated design, this model is ideal for applications where potential contamination of the material is an issue since hydraulic fluid is not powering the cutting head.



ARCH•MASTER™ PORTABLE AUGER SYSTEM



The Arch•Master™ was designed to create flow channels (up to 150 feet or 46 meters deep) in arched or bridged material. In some cases, this may be all that is required. In other instances, the Junior 360°™ or our turnkey Big•Mole™ service may be needed to complete the Silo Cleaning or Bin Cleaning process.

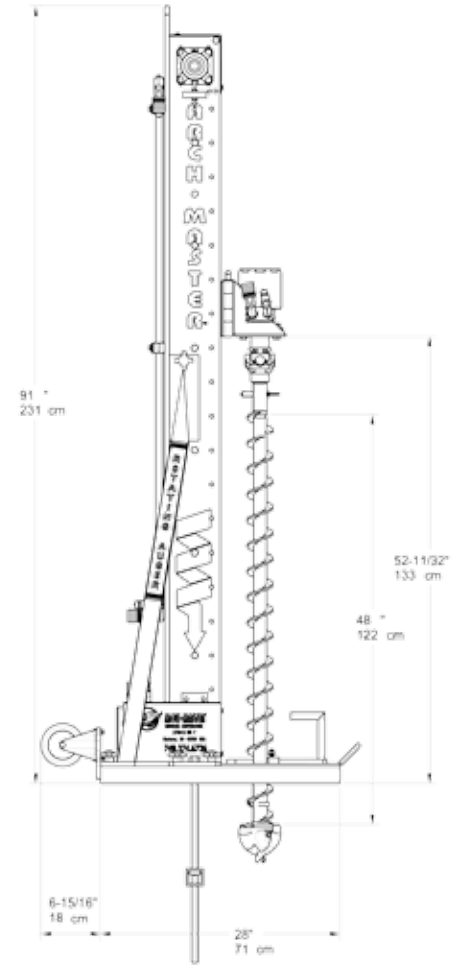
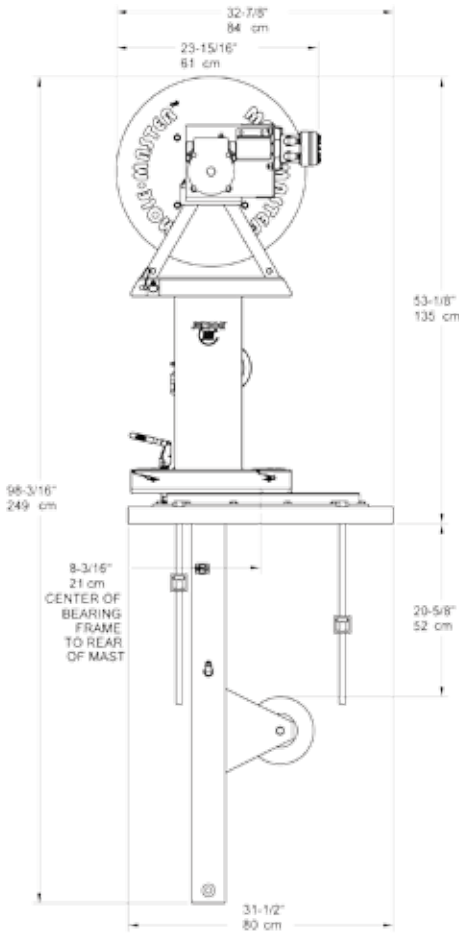
The easy-to-use Arch•Master™ is perfect for do-it-yourself maintenance crews for projects requiring a low-to-middle degree of difficulty.

FEATURES

- High-torque, variable speed power head for rapidly drilling even the hardest material
- Overall height 7'7" (2.3 m) to accommodate low head-room clearance
- Quick-connect hydraulic fittings
- Double-roller chain drive
- Heavy-duty 3" (7.6 cm) augers to penetrate any material. Custom diameters available at additional cost
- Specialty bits available for any application
- Standard drilling depth 150' (46 m)
- Special duty hydraulic motor for variable speed drilling
- Lightweight aluminum construction



EQUIPMENT SPECIFICATIONS



JUNIOR 360°™

Boom Length	Adjustable 9' to 28' (2.7 m to 8.5 m) 5' (1.52 m) mini boom also available
Working Depth	150 feet (46 m)
Required Access	16" minimum (40.6 cm)
Construction Material	Structural Aluminum
Power	
Electric	230/460V, 3 phase
Air (360P only)	100 psi / 175 scfm (6.9 bar / 4,955 liters/min) at machine
Weight	See Technical Data Sheet
True 360° rotation of complete machine from single mounting point.	

HYDRAULIC POWER UNIT

MOTOR OPTIONS	
5 HP, 3 phase Explosion Proof	230/460 volt
5 HP, 3 phase TEFC (totally enclosed fan cooled)	208-230/460 volt
5 HP, 3 phase TEFC (totally enclosed fan cooled)	575 volt
5 HP, 3 phase, Explosion Proof	575 volt
60 Hz (50 Hz compatible)	
RESERVOIR CAPACITY	
JUNIOR 360™	5 gal (19 L)
Arch-Master™	10 gal (38 L)

ARCH-MASTER™

DRILL UNIT	
Overall Height	7' 7" (2.3 m)
Base	28" x 28" (71.1 cm x 71.1 cm)
Drilling Depth	152' (46 m) max
AUGER & BITS	
HD Flights, 3" dia. x 4' L (7.6 cm x 1.2 m) hex drive auger sections	
3.5" (8.9 cm), 6" (15.2 cm) and 10" (25.4 cm) fishtail bits	
3.5" (8.9 cm) carbide tipped bit	
Spring steel drive pins	
Weight	See Technical Data Sheet

See Technical Data Sheet for more information.

MOLE-MASTER™ SERVICES CORPORATION



27815 State Route 7 • Marietta, Ohio 45750 USA

Toll Free: 1.800.322.6653 (USA only)

Phone: +1.740.374.6726 • Fax: +1.740.374.5908

www.molemaster.com