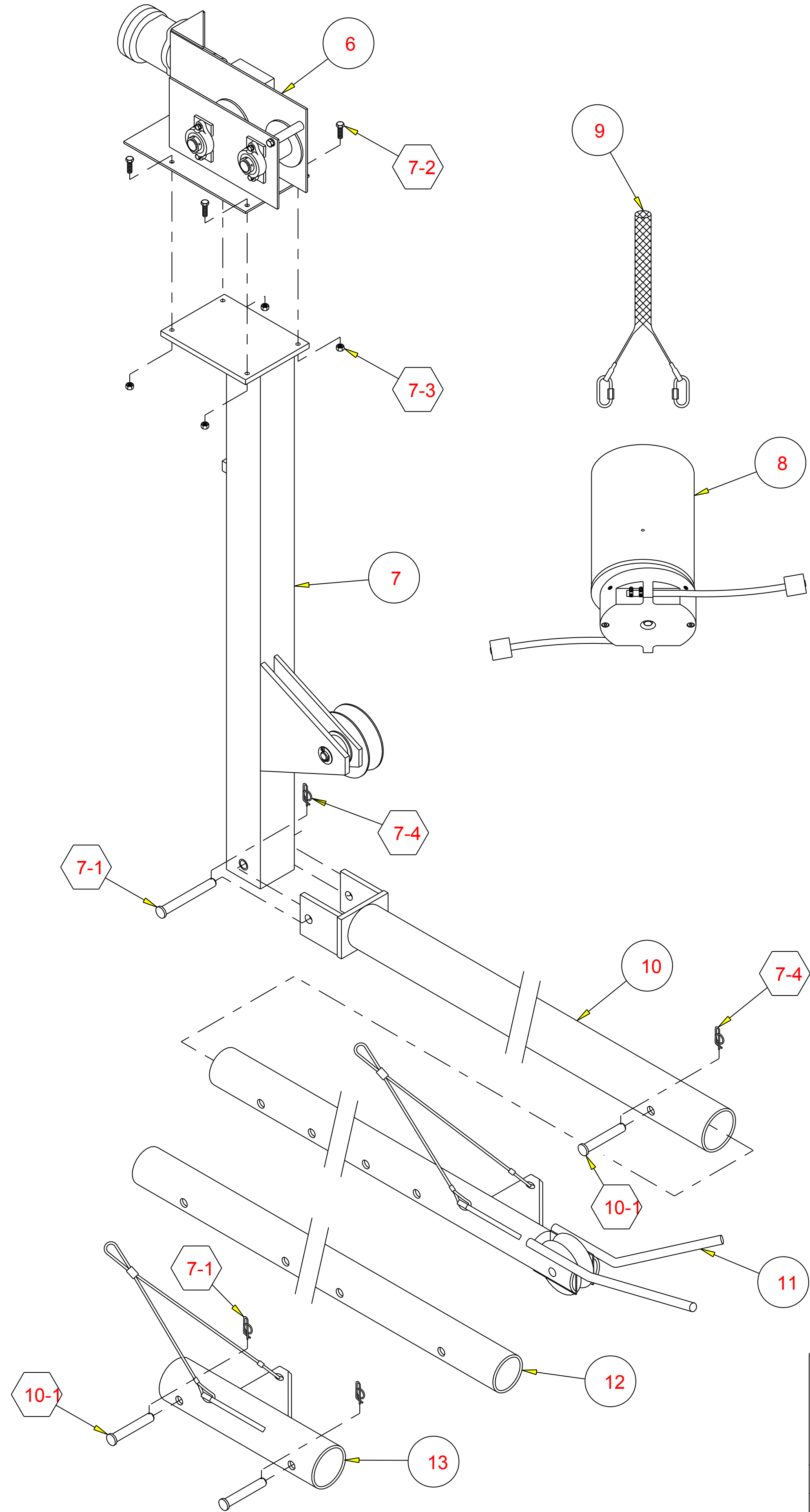
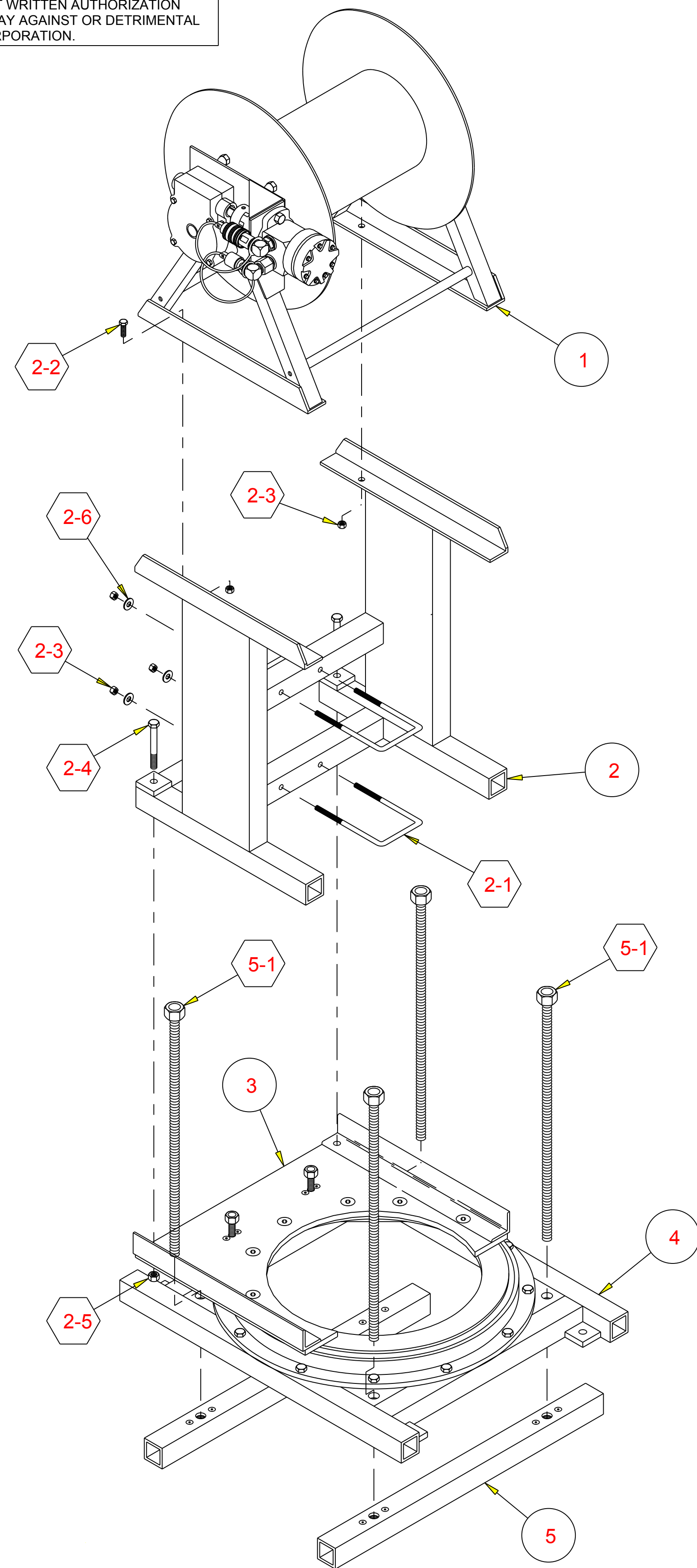


THIS MATERIAL IS THE PROPERTY OF MOLE MASTER SERVICES CORPORATION AND MAY NOT BE REPRODUCED, PUBLISHED, OR DISCLOSED TO OTHERS WITHOUT WRITTEN AUTHORIZATION AND MAY NOT BE USED IN ANY WAY AGAINST OR DETRIMENTAL TO MOLE MASTER SERVICES CORPORATION.



**PARTS LIST**

ITEM	PART NO.	DESCRIPTION	QTY.
1	HR2000-00	HOSE REEL ASSEMBLY - SHT. 2 OF 7	1
2	SF2000-00	HOSE REEL SUPPORT FRAME WELDMENT	1
2-1	0015	U-BOLT	2
2-2	0005	HEX HEAD BOLT	2
2-3	1003	HEX NUT	6
2-4	0009	HEX HEAD BOLT	2
2-5	1004	HEX NUT	2
2-6	2013	FLAT WASHER	4
3	BF2001-00	ATTACHMENT PLATE ASSEMBLY - SHT. 3 OF 7	1
4	BF2002-00	BEARING SUPT. FRAME ASS'Y. - SHT. 3 OF 7	1
5	BF2003-00	UNDER ROOF LOCK'G BAR ASS'Y.-SHT. 3 OF 7	2
5-1	BF2000-01	LOCKING BAR ATTACHMENT BOLT	2
6	W-2000-00	WINCH ASS'Y. - SHT. 4 OF 7	1
6-1	W-1001-00	WINCH CABLE ASSEMBLY	1
7	M-2000-00	MAIN MAST ASSEMBLY - SHT. 5 OF 7	1
7-1	3007	CLEVIS PIN	1
7-2	0008	HEX HEAD BOLT	4
7-3	1003	HEX NUT	4
7-4	3006	RUE RING COTTER	4
8	CH2000-00	CUTTING HEAD ASSEMBLY - SHT. 6 OF 7	1
9	5014	CUTTING HEAD SAFETY CATCH ASSEMBLY	1
10	JB2001-00	BOOM SECTION 1 - SHT. 7 OF 7	1
10-1	3008	CLEVIS PIN	3
11	JB2002-10	BOOM SECTION 2 - SHT. 7 OF 7	1
12	JB2003-00	BOOM SECTION 3 - SHT. 7 OF 7	1
13	JB2004-10	BOOM SECTION 4 - SHT. 7 OF 7	1

UNLESS OTHERWISE SPECIFIED DIMENSIONS ARE IN INCHES.  
 TOLERANCES ARE:  
 DECIMALS .XX ±.01  
 ANGLES ±2°  
 .XXX ±.005  
 FRACTIONAL ±1/16  
 DO NOT SCALE DRAWING

APPROVALS	DATE
DRAWN ED S.	12-12-94
CHECKED -	-
TREATMENT ENGR -	-
FINISH -	-
MATERIAL -	-

27815 STATE ROUTE 7  
 MARIETTA, OHIO  
 45750 USA  
 740-374-6726

**MOLE-MASTER SERVICES CORPORATION**

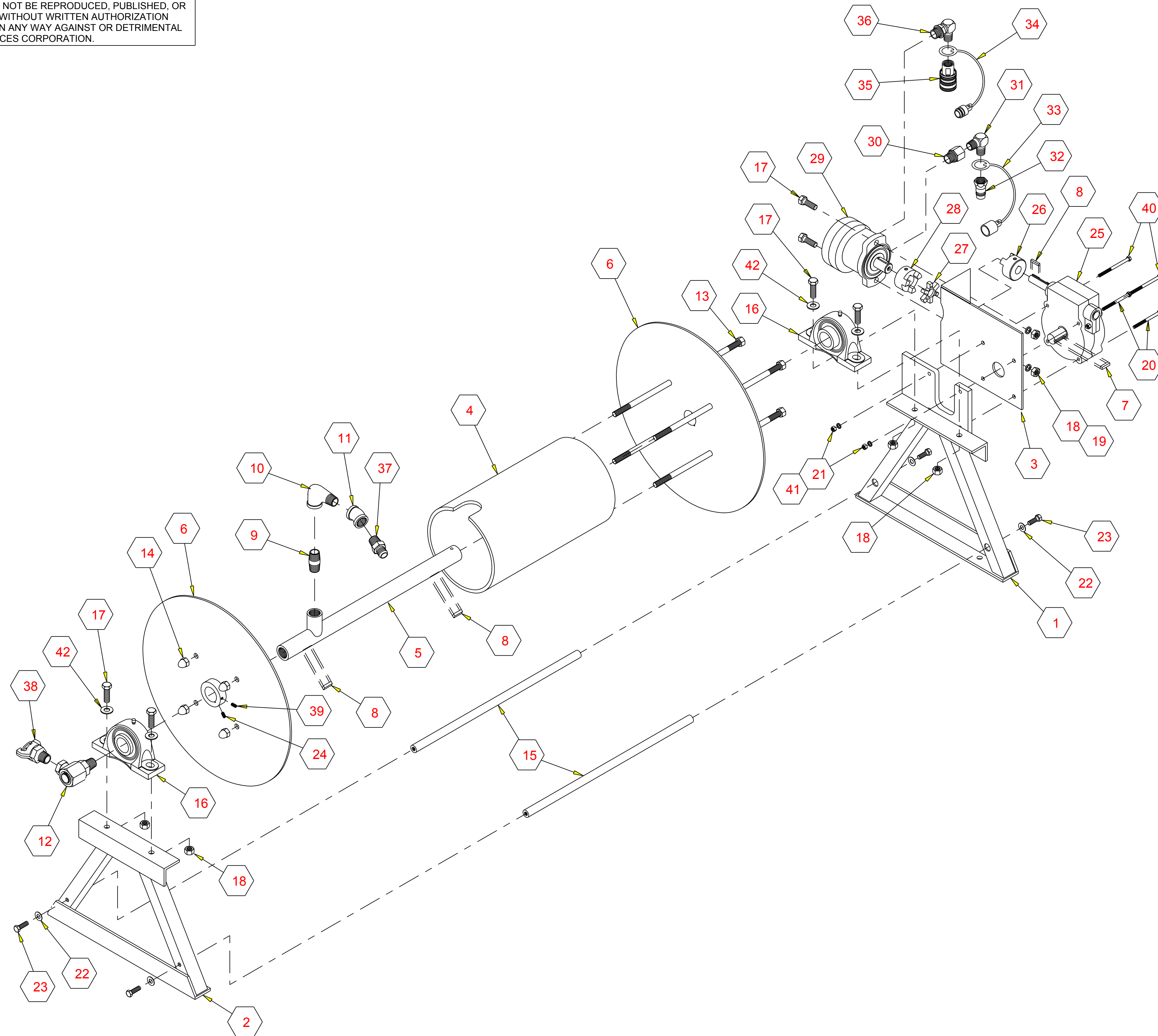
TITLE  
**JUNIOR 360<sup>o</sup>**  
**MASTER PARTS LIST**

SIZE D DWG NO. PL2360-1 REV. A

SCALE - SHEET 1 OF 7



THIS MATERIAL IS THE PROPERTY OF MOLE MASTER SERVICES CORPORATION AND MAY NOT BE REPRODUCED, PUBLISHED, OR DISCLOSED TO OTHERS WITHOUT WRITTEN AUTHORIZATION AND MAY NOT BE USED IN ANY WAY AGAINST OR DETRIMENTAL TO MOLE MASTER SERVICES CORPORATION.



PARTS LIST

ITEM	PART NO.	DESCRIPTION	QTY.
1	HR2001-00-W	DRIVE END FRAME WELDMENT	1
2	HR2002-00-W	IDLER END FRAME WELDMENT	1
3	HR2003-00-W	DRIVE & MOTOR MOUNTING BRACKET WELDMENT	1
4	HR2004-01-2	DRUM	1
5	HR2004-02-D	DRIVE SHAFT WELDMENT	1
6	HR2005-00-W	DRUM END WELDMENT	2
7	5012	KEY	1
8	5011	KEY	3
9	6051	NIPPLE	1
10	6052	STREET ELL	1
11	6053	45° ELBOW	1
12	6009	SWIVEL ELL	1
13	HR2006-00-W	DRUM TIE ROD	4
14	1023	ACORN NUT	4
15	HR2000-01-D	FRAME CONNECTING ROD	2
16	4003	BEARING	2
17	0010	HEX HEAD BOLT	6
18	1004	HEX NUT	6
19	2004	LOCK WASHER	2
20	0006	HEX HEAD BOLT	4
21	1002	HEX NUT	4
22	2013	FLAT WASHER	4
23	0008	HEX HEAD BOLT	4
24	5005	SET SCREW	2
25	5001	GEAR REDUCER	1
26	5004	GEAR REDUCER COUPLING	1
27	5003	COUPLER BUSHING	1
28	5002	MOTOR COUPLING	1
29	6001	HYDRAULIC MOTOR	1
30	6002	STRAIGHT HYDRAULIC FITTING	1
31	6003	90° ELBOW	1
32	6004	MALE QUICK COUPLING	1
33	6005	QUICK COUPLING CAP	1
34	6006	QUICK COUPLING PLUG	1
35	6007	FEMALE QUICK COUPLING	1
36	6008	90° ELBOW	1
37	6012	STRAIGHT MALE COUPLING	1
38	7005	CHICAGO FITTING	1
39	5013	SET SCREW	2
40	0007	HEX HEAD BOLT	2
41	2002	LOCK WASHER	2
42	2014	FLAT WASHER	4

UNLESS OTHERWISE SPECIFIED  
DIMENSIONS ARE IN INCHES.

TOLERANCES ARE:  
DECIMALS .XX ±.01  
ANGLES ±2°  
.XXX ±.005  
FRACTIONAL ±1/16

DO NOT SCALE DRAWING

TREATMENT

FINISH

MATERIAL

APPROVALS	DATE
DRAWN ED S.	02-04-99
CHECKED	
ENGR	

27815 STATE ROUTE 7  
MARIETTA, OHIO  
45750 USA  
740-374-6726

**MOLE-MASTER**  
SERVICES CORPORATION

TITLE  
**JUNIOR 360**  
**HOSE REEL ASSEMBLY**

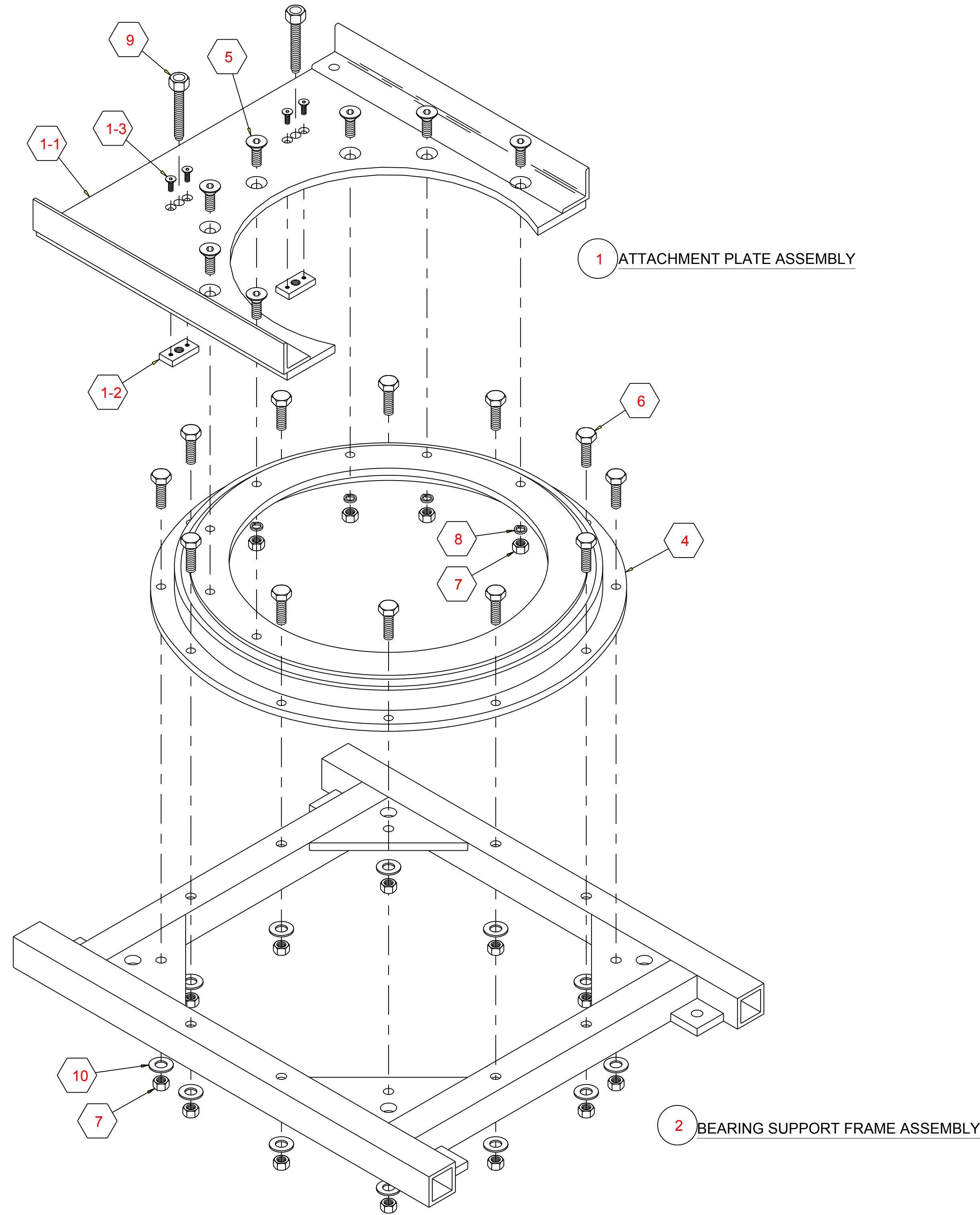
DWG NO. **PL2360-1**

REV. **A**

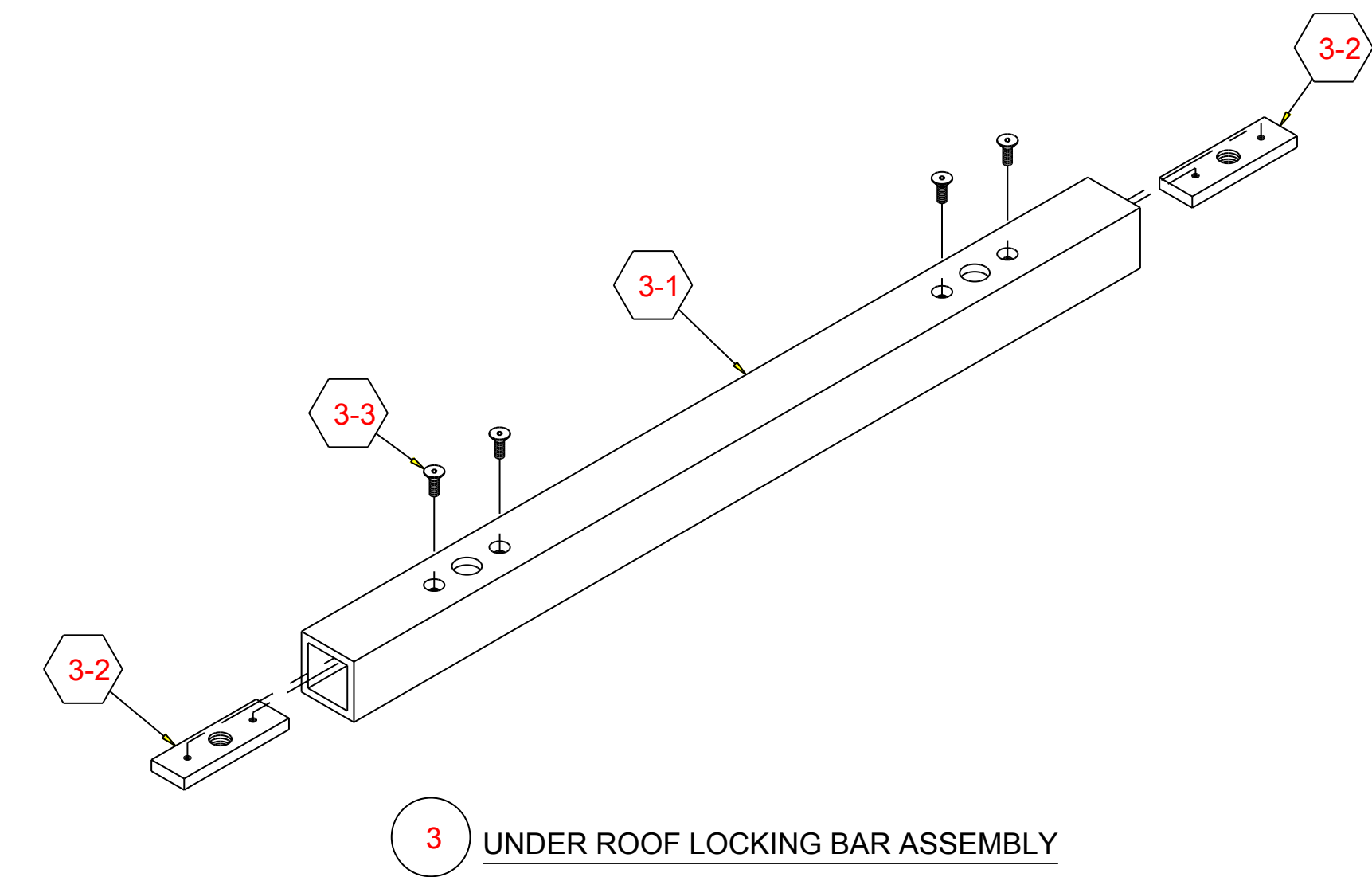
SCALE

SHEET 2 OF 7

THIS MATERIAL IS THE PROPERTY OF MOLE MASTER SERVICES CORPORATION AND MAY NOT BE REPRODUCED, PUBLISHED, OR DISCLOSED TO OTHERS WITHOUT WRITTEN AUTHORIZATION AND MAY NOT BE USED IN ANY WAY AGAINST OR DETRIMENTAL TO MOLE MASTER SERVICES CORPORATION.



PARTS LIST			
ITEM	PART NO.	DESCRIPTION	QTY.
1	BF2001-00-A	SUPPORT FRAME ATTACHMENT PLATE ASSEMBLY	1
1-1	BF2001-00-W	SUPPORT FRAME PLATE WELDMENT	1
1-2	BF2001-03	LOCKING BOLT BAR	2
1-3	0003	FLAT HEAD BOLT	4
2	BF2002-00-W	BEARING SUPPORT FRAME WELDMENT	1
3	BF2003-00-A	UNDER ROOF LOCKING BAR ASSEMBLY	2
3-1	BF2003-01-D	LOCKING BAR	2
3-2	BF2003-02-D	LOCKING BAR INSERT	4
3-3	0001	FLAT HEAD BOLT	8
4	4001	MAIN ROTATION BEARING	1
5	0002	FLAT HEAD BOLT	7
6	0010	HEX HEAD BOLT	12
7	1004	HEX NUT	19
8	2004	LOCK WASHER	7
9	BF100-01	ROTATION LOCK BOLT	2
10	2012	FLAT WASHER	12

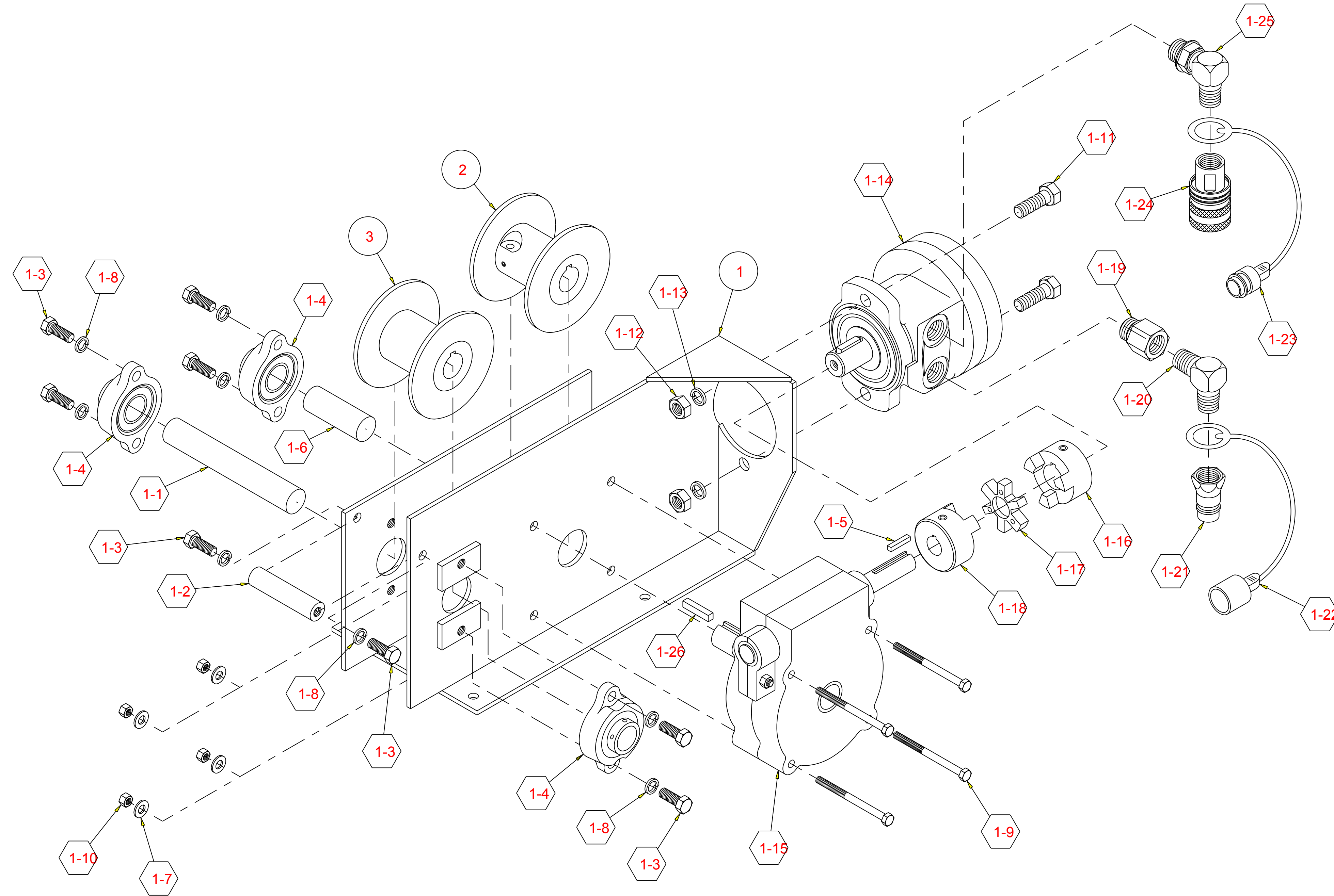


3 UNDER ROOF LOCKING BAR ASSEMBLY


UNLESS OTHERWISE SPECIFIED DIMENSIONS ARE IN INCHES.		APPROVALS		DATE		27815 STATE ROUTE 7 MARIETTA, OHIO 45750 USA 740-374-6726	
TOLERANCES ARE: DECIMALS .XX ±.01 .XXX ±.005 FRACTIONAL ±1/16		ED S.	02-04-99			TITLE <b>JUNIOR 360<sup>o</sup></b> <b>BEARING FRAME ASSEMBLY</b>	
DO NOT SCALE DRAWING		ENGR			DWG NO. <b>PL2360-1</b>		REV. A
FINISH		SCALE					SHEET 3 OF 7



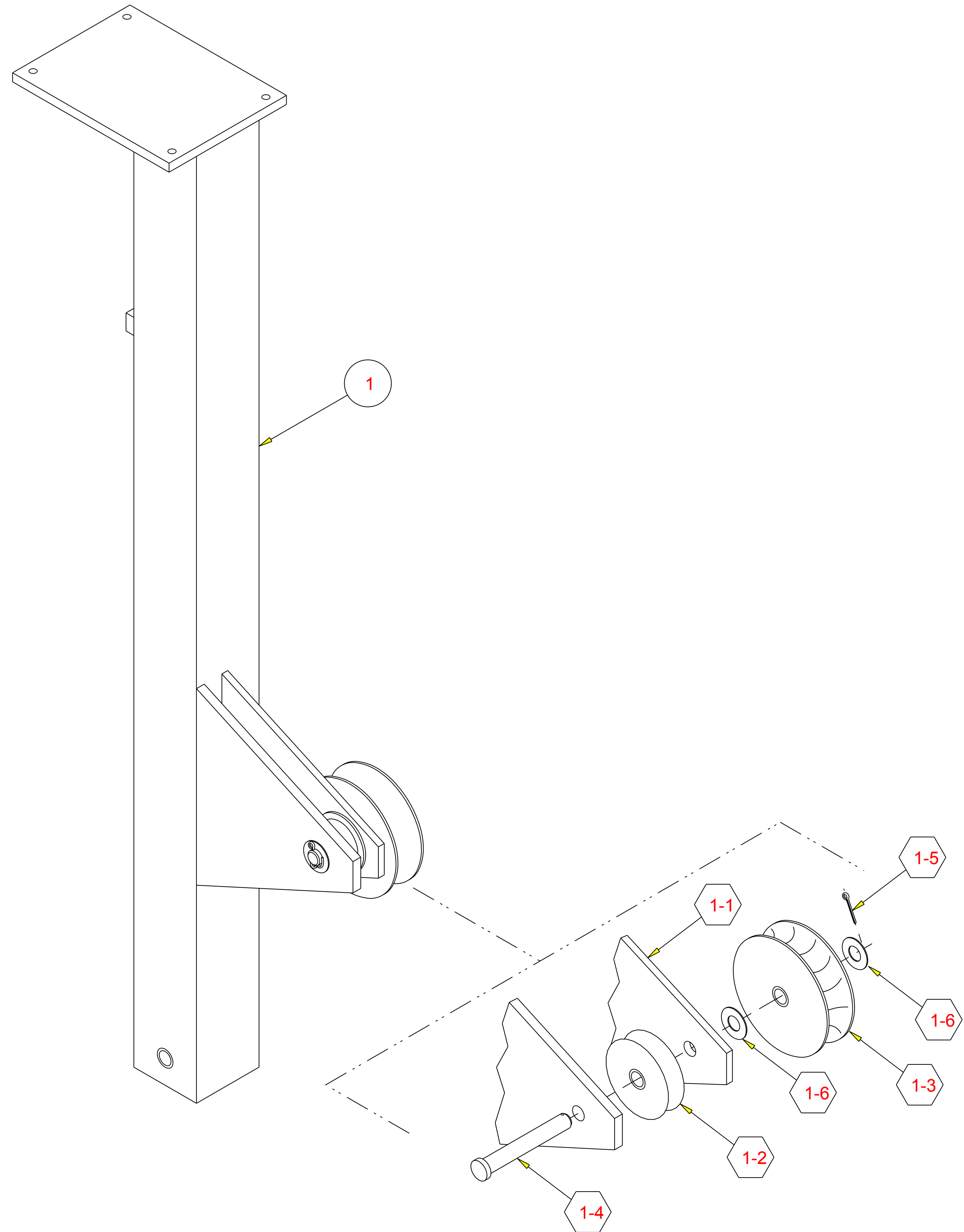
THIS MATERIAL IS THE PROPERTY OF MOLE MASTER SERVICES CORPORATION AND MAY NOT BE REPRODUCED, PUBLISHED, OR DISCLOSED TO OTHERS WITHOUT WRITTEN AUTHORIZATION AND MAY NOT BE USED IN ANY WAY AGAINST OR DETRIMENTAL TO MOLE MASTER SERVICES CORPORATION.



PARTS LIST			
ITEM	PART NO.	DESCRIPTION	QTY.
1	W-1001-00	WINCH BRACKET WELDMENT	1
1-1	W-1001-06	IDLER PULLEY AXLE	1
1-2	W-1001-07	SPACER BAR	1
1-3	0005	HEX HEAD BOLT	8
1-4	4002	AXLE BEARING	3
1-5	5011	SQUARE KEY	1
1-6	W-1001-11	DRIVE PULLEY AXLE	1
1-7	2012	FLAT WASHER	4
1-8	2003	LOCK WASHER	8
1-9	0006	HEX HEAD BOLT	4
1-10	1002	HEX NUT	4
1-11	0010	HEX HEAD BOLT	2
1-12	1004	HEX NUT	2
1-13	2004	LOCK WASHER	2
1-14	6001	HYDRAULIC MOTOR	1
1-15	5001	GEAR REDUCER	1
1-16	5002	MOTOR COUPLING	1
1-17	5003	COUPLING BUSHING	1
1-18	5004	GEAR REDUCER COUPLING	1
1-19	6002	STRAIGHT HYDRAULIC COUPLING	1
1-20	6003	90° ELBOW	1
1-21	6004	MALE QUICK COUPLING	1
1-22	6005	QUICK COUPLING CAP	1
1-23	6006	QUICK COUPLING PLUG	1
1-24	6007	FEMALE QUICK COUPLING	1
1-25	6008	90° ELBOW	1
1-26	5012	SQUARE KEY	1
2	W-1002-00	DRIVE PULLEY	1
3	W-1003-00	IDLER PULLEY	1


UNLESS OTHERWISE SPECIFIED DIMENSIONS ARE IN INCHES.		APPROVALS		DATE		27815 STATE ROUTE 7 MARIETTA, OHIO 45750 USA 740-374-6726	
TOLERANCES ARE: DECIMALS .XX ±.01 ANGLES ±2° .XXX ±.005 FRACTIONAL ±1/16		DRAWN	ED S.	11-01-94		TITLE	<b>JUNIOR 360<sup>o</sup></b> <b>WINCH ASSEMBLY</b>
DO NOT SCALE DRAWING		CHECKED			SIZE	DWG NO.	REV.
TREATMENT		ENGR			D	PL2360-1	A
FINISH					SCALE		SHEET 4 OF 7
MATERIAL							

THIS MATERIAL IS THE PROPERTY OF MOLE MASTER SERVICES CORPORATION AND MAY NOT BE REPRODUCED, PUBLISHED, OR DISCLOSED TO OTHERS WITHOUT WRITTEN AUTHORIZATION AND MAY NOT BE USED IN ANY WAY AGAINST OR DETRIMENTAL TO MOLE MASTER SERVICES CORPORATION.



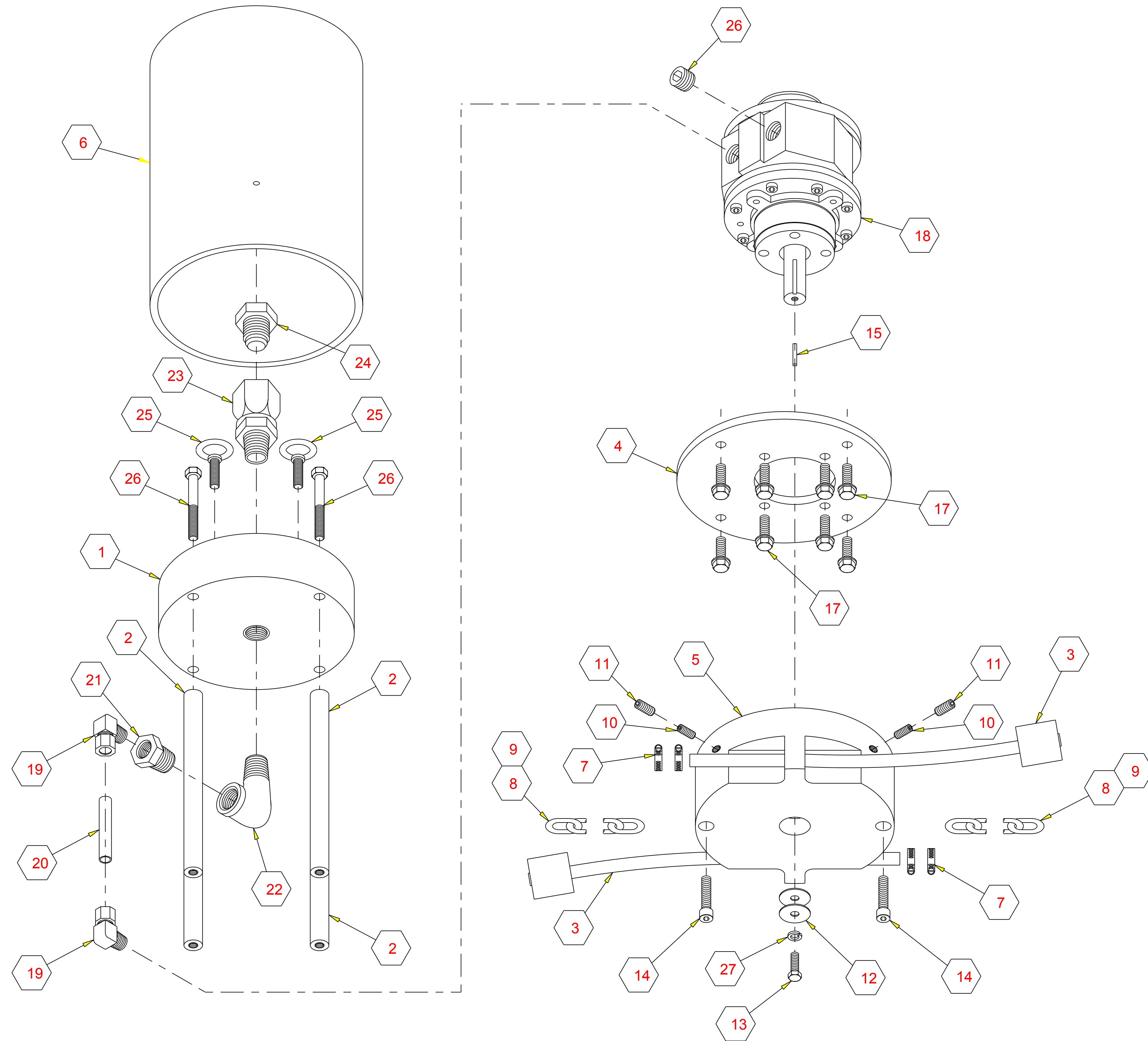
**PARTS LIST**

ITEM	PART NO.	DESCRIPTION	QTY.
1	M-2001-00-A	MAIN MAST ASSEMBLY	1
1-1	M-2001-00-W	MAIN MAST WELDMENT	1
1-2	5015	CABLE SHEAVE	1
1-3	M-2001-10-P	HOSE SHEAVE	1
1-4	3008	CLEVIS PIN	1
1-5	3001	COTTER PIN	2
1-6	2016	MACHINERY BUSHING	2

UNLESS OTHERWISE SPECIFIED DIMENSIONS ARE IN INCHES.		APPROVALS		DATE		27815 STATE ROUTE 7 MARIETTA, OHIO 45750 USA 740-374-6726	
TOLERANCES ARE: DECIMALS .XX ±.01 ANGLES ±2° .XXX ±.005 FRACTIONAL ±1/16		ED S.	02-04-99			TITLE	
DO NOT SCALE DRAWING		CHECKED	-	-	JUNIOR 360 <sup>o</sup>		
TREATMENT	-	ENGR	-	-	MAIN MAST		
FINISH	-				SIZE	DWG NO.	REV.
MATERIAL	-				D	PL2360-1	A
		SCALE					SHEET 5 OF 7



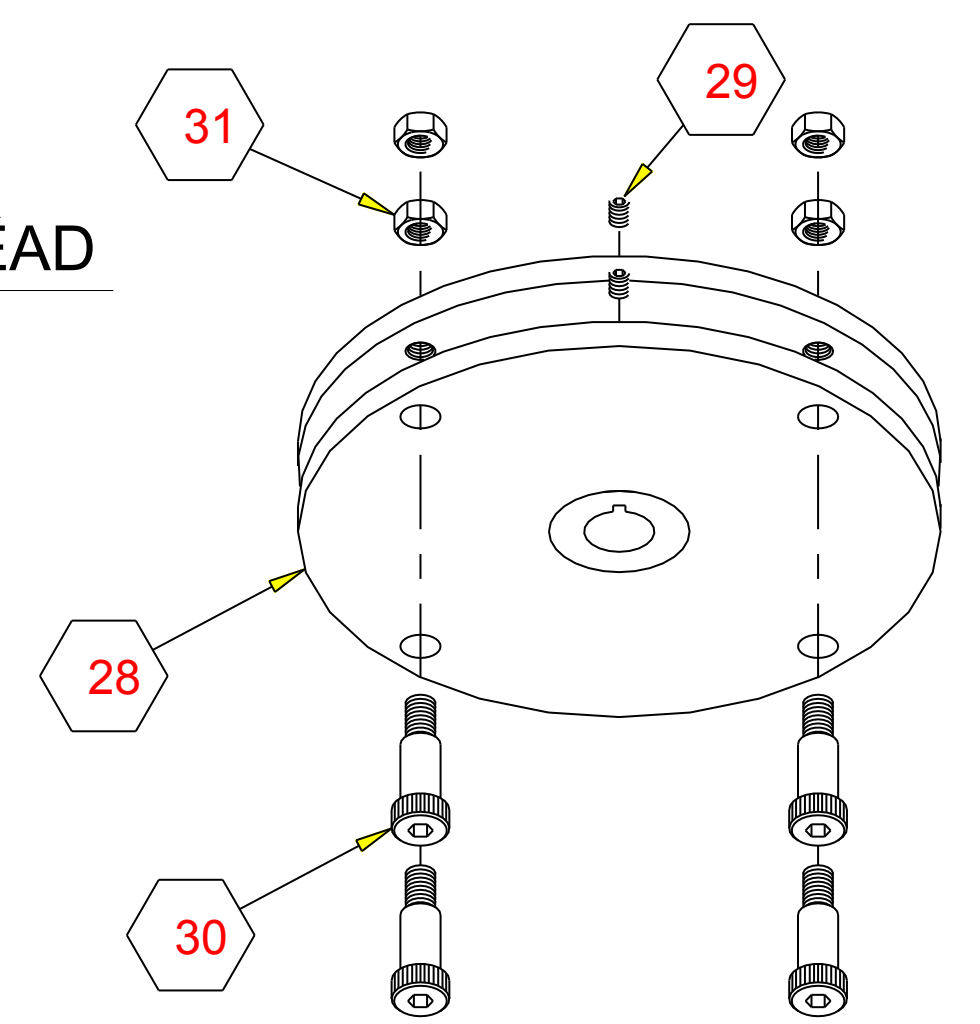
THIS MATERIAL IS THE PROPERTY OF MOLE MASTER SERVICES CORPORATION AND MAY NOT BE REPRODUCED, PUBLISHED, OR DISCLOSED TO OTHERS WITHOUT WRITTEN AUTHORIZATION AND MAY NOT BE USED IN ANY WAY AGAINST OR DETRIMENTAL TO MOLE MASTER SERVICES CORPORATION.




**PARTS LIST**

ITEM	PART NO.	DESCRIPTION	QTY.
1	CH2000-01	HEAD BLOCK	1
2	CH2000-02	TIE ROD	4
3	CH2000-10	THERMOPLASTIC CUTTER ASSEMBLY	2
4	CH2000-04	BOTTOM PLATE	1
5	CH2000-05	CUTTER HEAD	1
6	CH1000-06	OUTER HOUSING	1
7	5008	CLAMP	4
8	CH2000-07	BRONZE CHAIN CUTTER	2
9	CH2000-08	STEEL CHAIN CUTTER	2
10	5006	SET SCREW	2
11	5007	SET SCREW	2
12	2022	WASHER	2
13	0004	HEX HEAD BOLT	1
14	0012	SOCKET HEAD CAP SCREW	2
15	5011	SQUARE KEY	1
16	0011	HEX HEAD BOLT	4
17	0014	HEX WASHER HEAD BOLT	8
18	7004	AIR MOTOR	1
19	7002	ELBOW	2
20	7003	CONNECTING TUBE	1
21	6054	BUSHING	1
22	6052	STREET ELL	1
23	6010	STRAIGHT COUPLING	1
24	6011	PLUG	1
25	5010	EYE BOLT	2
26	5016	ORIFICE	1
27	2002	LOCK WASHER	1
28	CH2000-50	FLAIL HEAD	1
29	5005	SET SCREW	2
30	0016	HEX SOCKET SHOULDER BOLT	4
31	1003	HEX NUT	4

**OPTIONAL  
STEEL FLAIL HEAD**

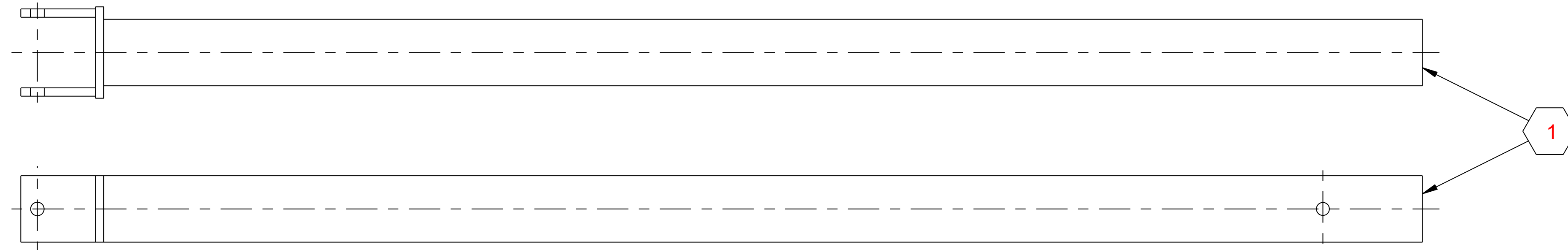


UNLESS OTHERWISE SPECIFIED DIMENSIONS ARE IN INCHES.		APPROVALS		DATE		27815 STATE ROUTE 7 MARIETTA, OHIO 45750 USA 740-374-6726	
TOLERANCES ARE: DECIMALS .XX ±.01 .XXX ±.005 FRACTIONAL ±1/16		ED S	02-04-99	TITLE		JUNIOR 360 <sup>o</sup> CUTTING HEAD ASSEMBLY	
DO NOT SCALE DRAWING		CHECKED	-	-	SIZE	DWG NO.	
TREATMENT	-	ENGR	-	-	D	PL2360-1	
FINISH	-			SCALE	-	REV.	A
MATERIAL	-			SHEET		6 OF 7	

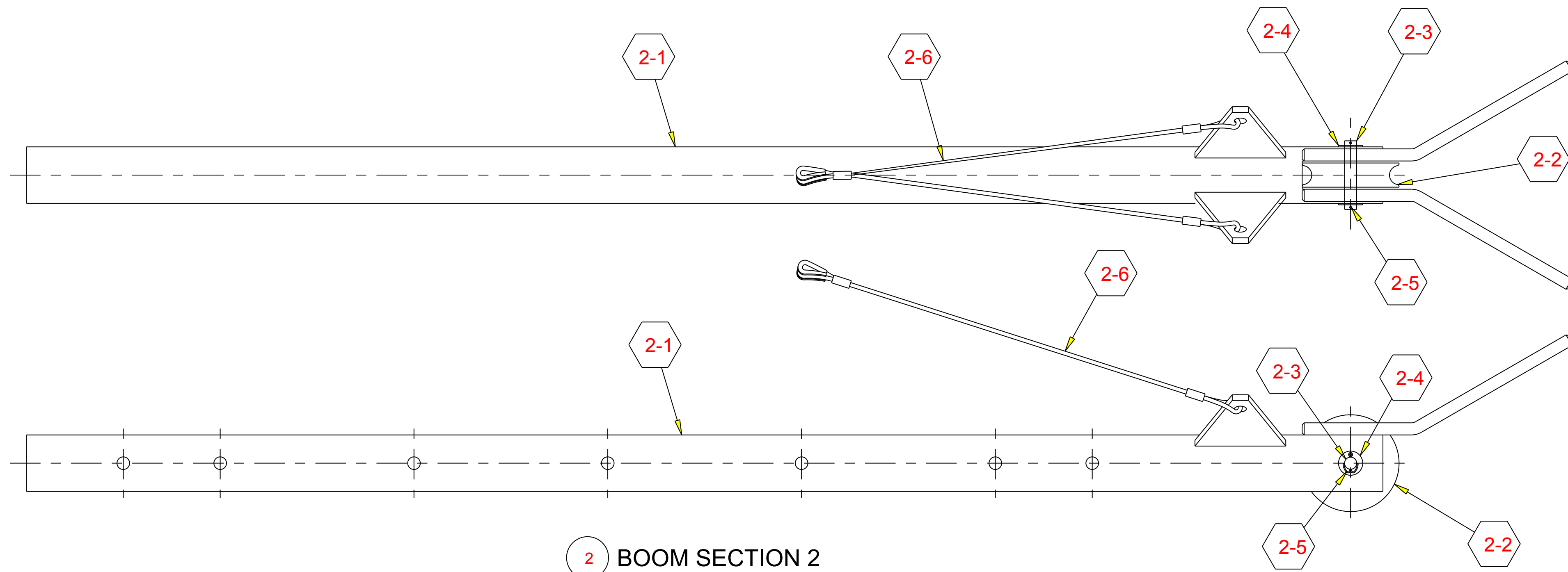
THIS MATERIAL IS THE PROPERTY OF MOLE MASTER SERVICES CORPORATION AND MAY NOT BE REPRODUCED, PUBLISHED, OR DISCLOSED TO OTHERS WITHOUT WRITTEN AUTHORIZATION AND MAY NOT BE USED IN ANY WAY AGAINST OR DETRIMENTAL TO MOLE MASTER SERVICES CORPORATION.

**PARTS LIST**

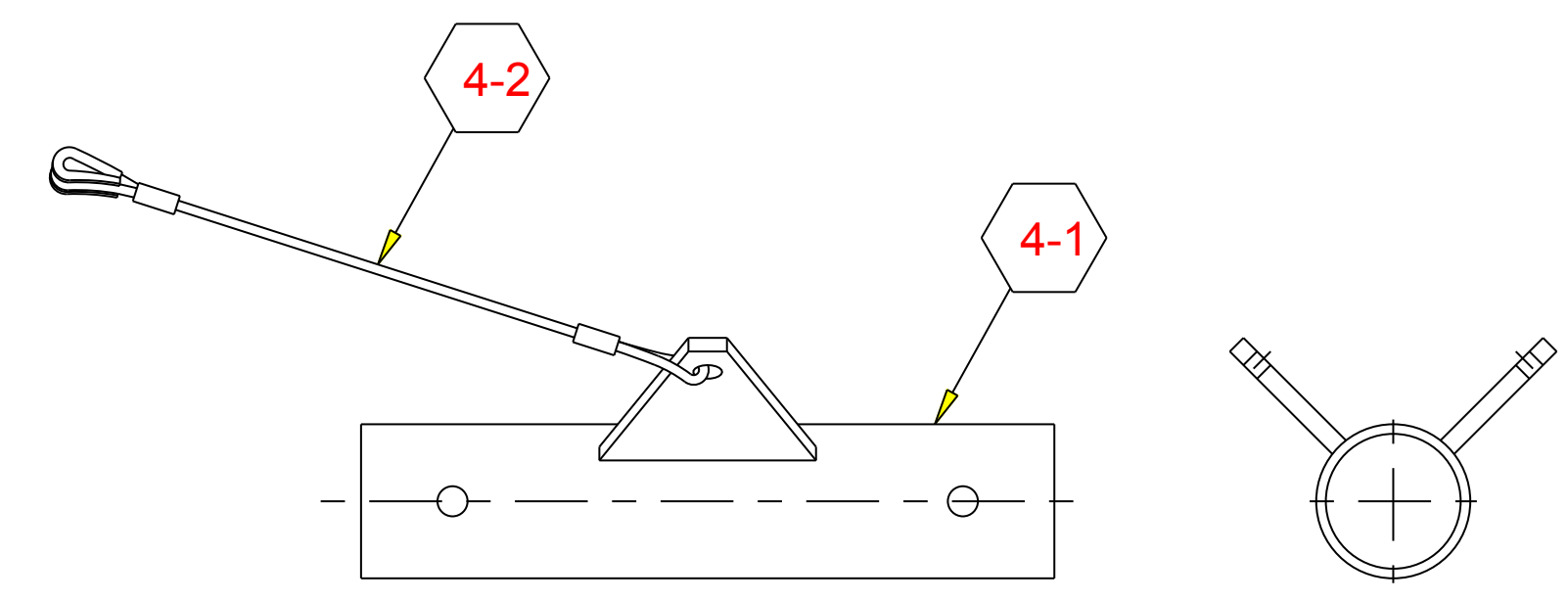
ITEM	PART NO.	DESCRIPTION	QTY.
1	JB2001-00-W	BOOM SECTION 1 - WELDMNT	1
2	JB2002-10-A	BOOM SECTION 2 - ASSEMBLY	1
2-1	JB2002-00-W	BOOM SECTION WELDMNT	1
2-2	JB1000-01	HOSE SHEAVE	1
2-3	JB1000-02	HOSE SHEAVE AXLE	1
2-4	2016	MACHINERY BUSHING	2
2-5	3001	COTTER PIN	2
2-6	JB1002-20	MAIN BOOM BRIDLE ASSEMBLY	1
3	JB2003-00-D	BOOM SECTION 3	1
4	JB2004-10-A	BOOM SECTION 4 - ASSEMBLY	1
4-1	JB2004-00-W	BOOM SECTION 4 - WELDMNT	1
4-2	JB1004-20	SHORT BRIDLE ASSEMBLY	1
5	CH1000-60-A	50' PNEUMATIC HOSE ASSEMBLY - NOT SHOWN	1



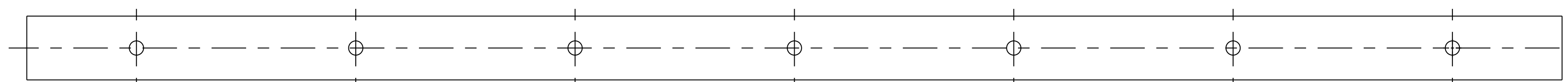
**1** BOOM SECTION 1



**2** BOOM SECTION 2



**4** BOOM SECTION 4



**3** BOOM SECTION 3

UNLESS OTHERWISE SPECIFIED DIMENSIONS ARE IN INCHES.		APPROVALS		DATE		27815 STATE ROUTE 7 MARIETTA, OHIO 45750 USA 740-374-6726	
TOLERANCES ARE: DECIMALS .XX ±.01 .XXX ±.005 FRACTIONAL ±1/16		ED S.	02-04-99			TITLE <b>JUNIOR 360<sup>o</sup></b> <b>BOOM SECTIONS</b>	
DO NOT SCALE DRAWING		CHECKED	-	-	DWG NO. <b>PL2360-1</b>		REV. A
TREATMENT	-	ENGR	-	-	SCALE	-	SHEET 7 OF 7
FINISH	-						
MATERIAL	-						